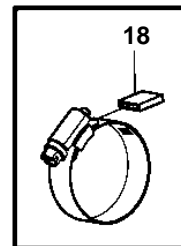
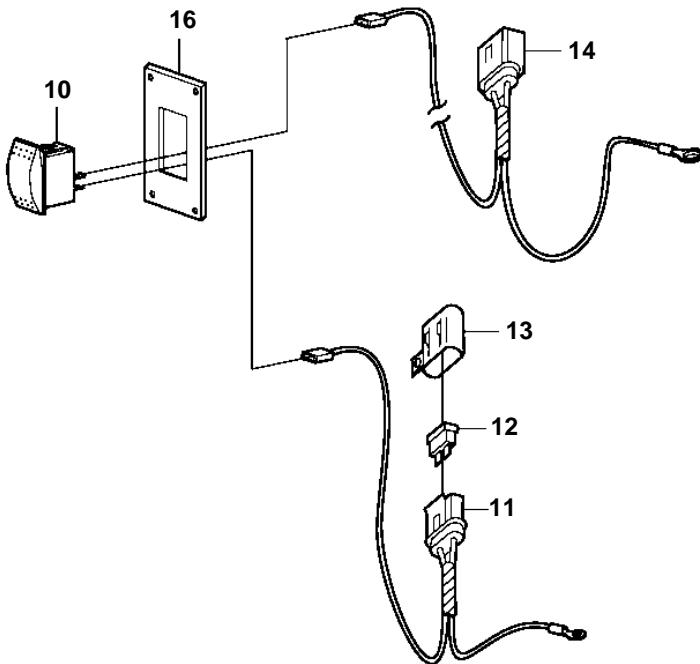
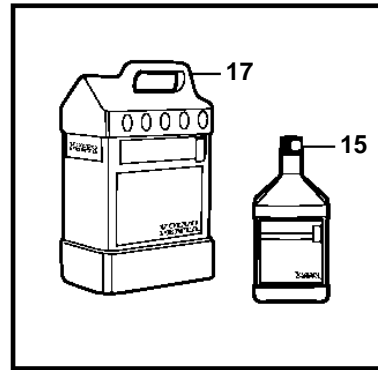
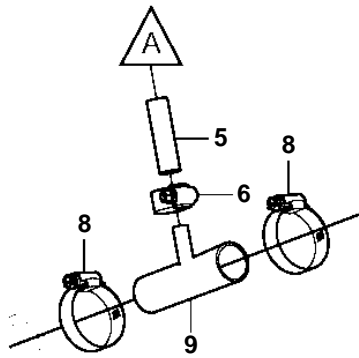
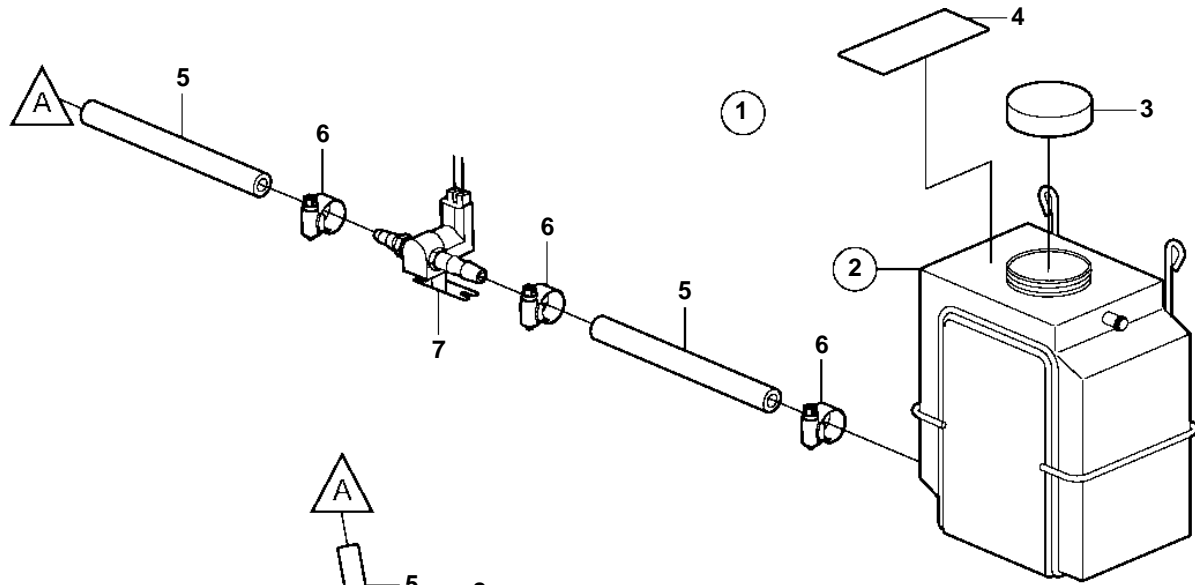


8.1Gi-A, 8.1Gi-B, 8.1Gi-C, 8.1Gi-D, 8.1GSi-A, 8.1GXi-A, DPX375-A, DPX375-B, DPX375-BF, DPX375-CF, DPX420-A, DPX420-B, DPX420-BF, DPX420-CF, 8.1Gil-A, 8.1Gil-B, 8.1Gil-C, 8.1Gil-D, 8.1GSil-A, 8.1GXil-A, 8.1GXil-B, 8.1GXil-C



8.1Gi-A, 8.1Gi-B, 8.1Gi-C, 8.1Gi-D, 8.1GSi-A, 8.1GXi-A, DPX375-A, DPX375-B, DPX375-BF, DPX375-CF, DPX420-A, DPX420-B, DPX420-BF, DPX420-CF, 8.1Gil-A, 8.1Gil-B, 8.1Gil-C, 8.1Gil-D, 8.1GSil-A, 8.1GXil-A, 8.1GXil-B, 8.1GXil-C

REF	PART NO.	QTY	DESCRIPTION	NOTES
1	41103101	1	Cleaner kit, Nuetra-Salt™	
2	3862039	1	• Tank	
		1	• • Bracket	NOT SERVICED
3	3858990	1	• • Cap	
4	7741899	1	• Decal	
5		1	• Hose	CUT
6	3853794	4	• Clamp	
7	3862492	1	• Solenoid valve	
8	3853786	2	• Clamp	
9	3862940	1	• T-nipple	
10	3862491	1	• Switch	
11	3862489	1	• Wiring harness	
12	983966	1	• • Fuse	
13	8072808	1	• • Cover	
14	3862890	1	• Wiring harness	
15	41103103	1	• Neutralizing agent, Nuetra-Salt™	1 QUART (946ml)
16	3862899	1	• Switch plate	BLACK
	3862898	X	Switch plate	WHITE
	3862900	X	Switch plate	WOODGRAIN
17	41103102	X	Neutralizing agent, Nuetra-Salt™	1 GALLON (3.78L)
18	3858532	X	Cover	W=0.465" (11.8mm)
	3861999	X	Cover	W=0.300" (7.6mm)